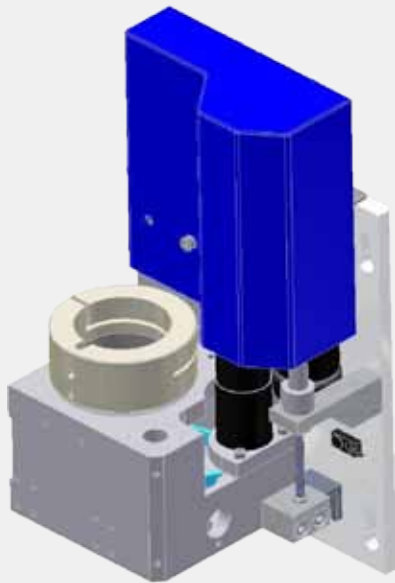


## Fitting tool and application



### Basic Head 75430

die holder for all the tools available  
Z-axis (servo axis for cutting in and out)

### OT 74337

#### Fitting tool oscillating

oscillating knife 1 mm stroke  
application:  
leather, plastic, sheet up to 4 mm, carpet



### OT 78681

#### Fitting tool oscillating

oscillating diameter 3 mm stroke  
application:  
rubber up to 12 mm,  
foam, leather



### POT 78301

#### Fitting tool oscillating

pneumatically oscillating knife  
5 mm stroke  
application:  
thick foams,  
rubber mats,  
laminated carpets,  
carpeting in general,  
Honeycomb



### PRT 45 77000

#### Power Tool 45

automatically driven round knife  
28 - 45 mm diameter  
application:  
wadding,  
cushion (up to 10 - 30 mm)  
laminated materials



### PWT30 67767

#### with adapter 74433

driven round knife  
28 - 30 mm in diameter  
application:  
textiles of all kinds,  
upholstery, leather, fiberglass,  
carbon

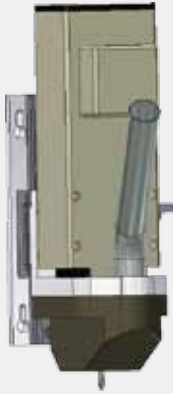


### ZMT 75833

#### drag knife

application:  
foil, paper,  
prepreg, top materials,  
automotive carpets

## Options of different tool units



### **FE 74739**

#### **Milling unit 0,75 kW**

high frequency spindle

application:

cuts in a plane

materials e.g. plastic,

foam, Honeycomb



### **Printhead 79056**

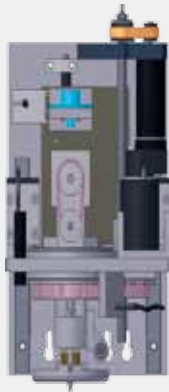
inkjet printer with network connection

application:

printing of part numbers,

cutting date or barcode on transparencies,

canvas, carbon, prepreg, etc.



### **VIB 76287**

#### **Cutting head with oscillating dagger**

very robust design

application:

especially for heavy carpets,

low noise level



### **PEN 47186**

#### **Marking tool**

universal plot installation with holder

for different plotter pens

application:

labeling of cut parts

on the surface